



Class 800 長頸鍛造伸縮囊密封型球型閥

Class 800 Forged Long Bellows Sealed Globe valve

FIG 37A-L Series



Selection of possible applications:

- Industry
 - Powerstations
 - Flue gas purification plant
 - Processing technology
 - Gas supply
 - Vapour facilities
 - Thermal oil applications
 - Recycling facilities
 - Vacuum facilities
 - Ammonia
 - Hot water
 - Heating technology
 - District heating
 - Cooling and freezing systems
 - General plant manufacturing
 - Steam systems
- other applications on request -

Design Description:

- Bolted bonnet
- Outside screw and yoke
- Antirotation device
- Rising stem and non-rising handwheel
- Disc with conical metallic sealing surface
- Metal back seat
- Lubricating Nipple as Standard
- Secondary Sealing : gland packing
- Different types of connection available. (Screwed, Socket Weld, and Flange Ends)
- Stem sealed with bellows tested for 10,000 full open/closed operations at 20°C
- Design and Manufacturing acc. to API 602
- Shell wall thickness acc. ASME B16.34
- Screwed Ends acc. to ASME B1.20.1
- Socket Weld Ends acc. to ASME B16.11
- Test pressure acc. to API 598
- Maintenance free
- Free from abestos,PCB and CFC

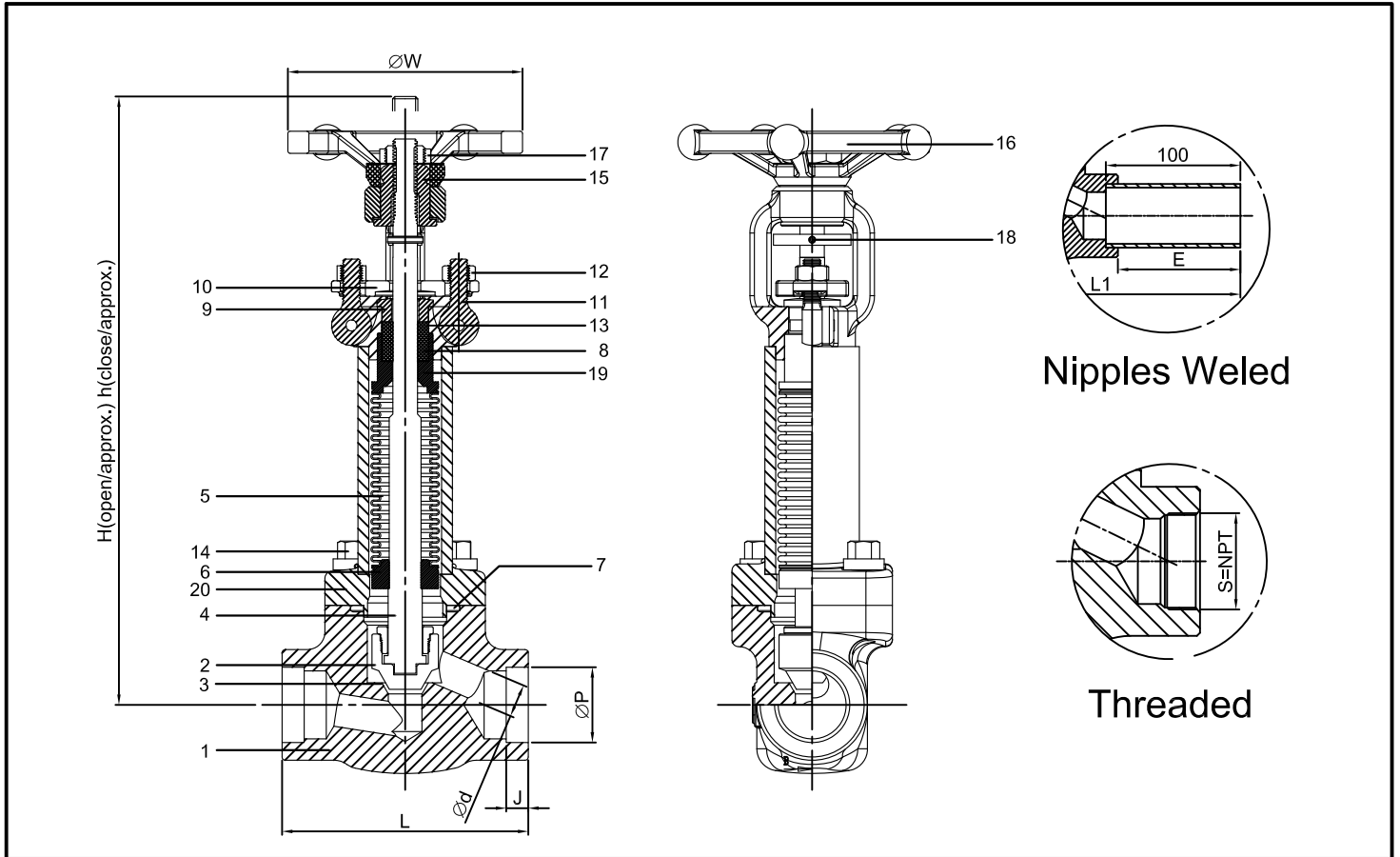
Pressure/Temperature Ratings:

	BODY Material	Temp.	Working Pressure	SHELL TEST (water)	SEAT TEST (water)	SEAT TEST (air)
	Class 800	A 182 Gr.F304	100°F 38°C	1920 psig 132.4 bar	2900 psig 200 bar	2120 psig 146 bar
1000°F 538°C			947 psig 65.2 bar			
A 182 Gr.F316		100°F 38°C	1920 psig 132.4 bar	2900 psig 200 bar	2120 psig 146 bar	80 psig 5.5 bar
		800°F 425°C	968 psig 66.8 bar			
A 105		100°F 38°C	1973 psig 136.1 bar	2975 psig 205 bar	2180 psig 150 bar	80 psig 5.5 bar
		100°F 538°C	1098 psig 76.7 bar			



Class 800 長頸鍛造伸縮囊密封型球型閥
Class 800 Forged Long Bellows Sealed Globe valve

FIG 37A-L Series



Valve Parts List:

Item	Part name	Material			Remark
		A105	A182-F304	A182-F316	
1	Body	A105	A182-F304	A182-F316	
2	Disc	A276-410	A182-F304	A182-F316	HF on request
3	Seat Facing	13%Cr	A182-F304	A182-F316	HF on request
4	Stem	13%Cr	S.S.304	S.S.316	
5	Bellows	S.S.304	S.S.304	S.S.316	
6	Bonnet	A105	A182-F304	A182-F304	
7	Bonnet Gasket	S.S.304 Spiral Wound	S.S.304 Spiral Wound	S.S.316 Spiral Wound	
8	Gland Packing	Graphite	Graphite	Graphite	
9	Gland	13%Cr	S.S.304	S.S.316	
10	Gland Flange	A105	A182-F304	A182-F304	
11	Eye Bolt	A192-B8	A193-B8	A193-B8	
12	Eye Bolt Nut	A194-2H	A194-8	A194-8	
13	Eye Bolt Pin	A276-410	A276-410	A276-410	
14	Bonnet Bolt	A193-B7	A193-B8	A193-B8	
15	Stem Nut	A276-410	A276-410	A276-410	
16	Handwheel	Ductile Iron	Ductile Iron	Ductile Iron	
17	Handwheel Nut	13%Cr	13%Cr	13%Cr	
18	Position Indicator	13%Cr	13%Cr	13%Cr	
19	Upper Bellows Joint	13%Cr	S.S.304	S.S.316	
20	Lower Bellows Joint	13%Cr	S.S.304	S.S.316	

** Other materials are available upon request.

Dimensions Table:

Dimensions Table: Class 800

Unit : mm

Class	Port	SIZE		Ød	H	h	ØW	L	Nipple Weld		Socket Weld		Screwed	
		DN	NPS						E	L1	ØP	J	S	NPT
		800	Reduced						15	1/2"	13	240	223	100
		20	3/4"	13	240	223	100	92	87	266	27	13	14.1	3/4" NPT
		25	1"	18	290	267	125	111	87	285	34	13	16.2	1" NPT
		40	1-1/2"	29	337	342	180	152	87	326	49	13	18.5	1-1/2" NPT
		50	2"	37	433	390	240	172	84	340	61	16	22.8	2" NPT