



# JIS-20K 球狀石墨鑄鐵伸縮囊密封型球型閥

## JIS-20K Ductile Iron Bellows Sealed Globe Valve

### FIG FK38D



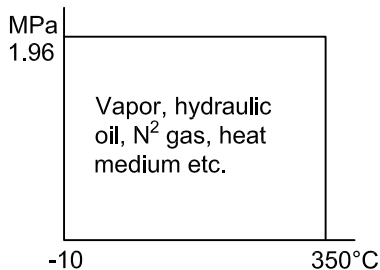
#### Selection of possible applications:

- Industry
  - Powerstations
  - Flue gas purification plant
  - Processing technology
  - Gas supply
  - Vapour facilities
  - Thermal oil applications
  - Recycling facilities
  - Vacuum facilities
  - Ammonia
  - Hot water
  - Heating technology
  - District heating
  - Cooling and freezing systems
  - General plant manufacturing
  - Steam systems
- other applications on request -

#### Design Description:

- Globe valve in straight way type
- Bolted bonnet
- Outside screw and yoke
- Antirotation device and mechanical position indicator
- Rising stem and non-rising handwheel
- Disc with conical metallic sealing surface
- Metal back seat, safety stuffing box packing
- Lubricating Nipple as Standard
- Secondary Sealing : gland packing
- Design and manufacture acc. to JV4-4 JV4-5
- Stem sealed with bellows tested for 5,000 full open/closed operations at 20°C
- Shell wall thickness acc. JIS B 2031
- Face to face dimensions acc. to JIS B 2002
- Flanges acc. to JIS B 2210 20K
- The Valve are marked to JIS B 2004
- Test pressure Dimensional inspection acc. to JIS B 2003
- Maintenance free
- Free From asbestos, PCB and CFC

#### Pressure/Temperature Ratings:



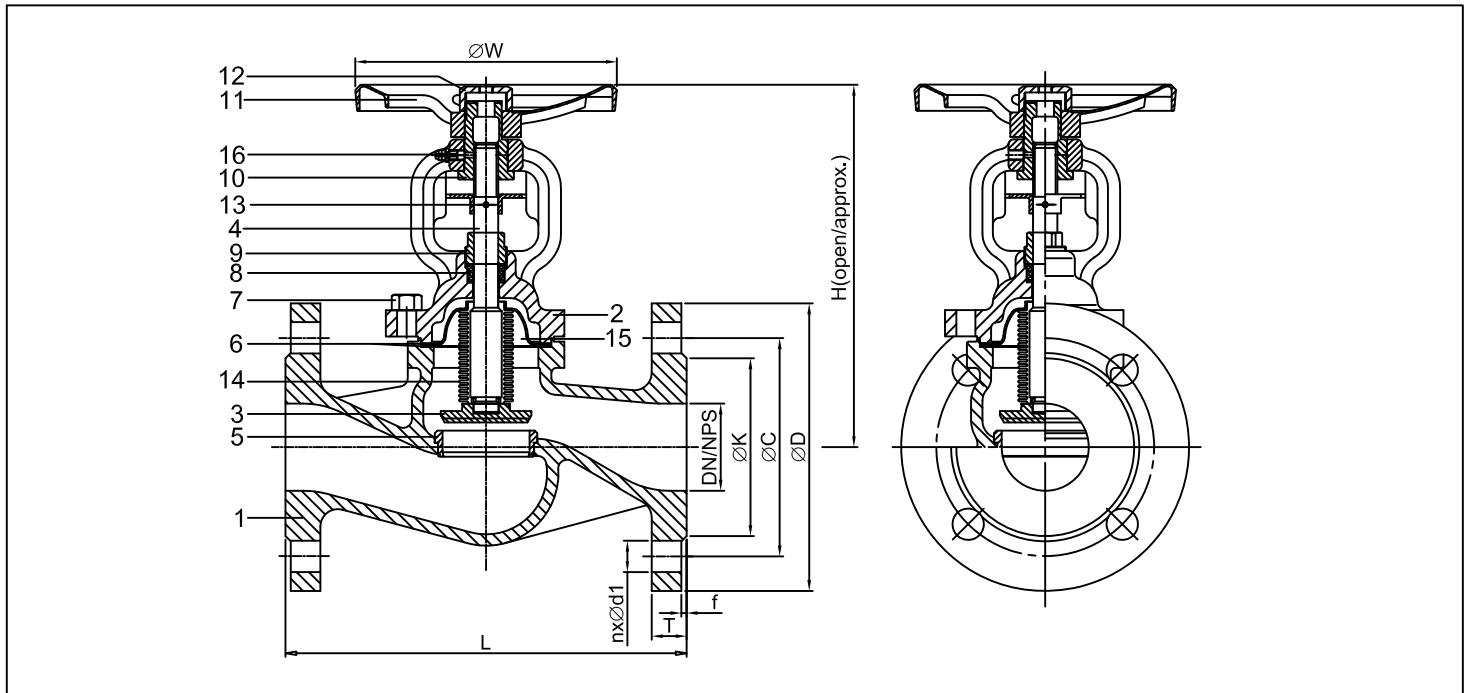
Inspection pressure	
Body	Water pressure 2.94 MPa
Body seat	Water pressure 2.16 MPa



# JIS-20K 球狀石墨鑄鐵伸縮囊密封型球型閥

## JIS-20K Ductile Iron Bellows Sealed Globe Valve

### FIG FK38D



#### Valve Parts List:

Item	Part name	Material	Remarks
1	Body	FCD 450-10	FCD-S on request
2	Bonnet	FCD 450-10	
3	Disc*	SUS 410	HF on request
4	Stem	SUS 410	
5	Boby Seat	SUS 410	HF on request
6	Gasket	Graphite	
7	Bonnet Bolts	SS 400	
8	Gland Packing	Graphite	
9	Gland	C3604	
10	Stem nut	C3604	
11	Handwheel	FCD 450-10	
12	Handwheel nut	FCD 450-10	
13	Position indicator	SS 400	
14	Bellows	SUS 304	
15	Bellows Flange	SUS 304	
16	Lubricating Nipple	SUS 304	

\* Soft disc inserts available for gas or vacuum service

#### Dimensions Table:

Unit : mm

SIZE		H	ØW	L	JIS 20K						a
DN	NPS				ØD	ØC	ØK	nxØd1	T	f	
15	1/2"	159	125	110	95	70	51	4x15	14	1	4
20	3/4"	159	125	120	100	75	56	4x15	16	1	4
25	1"	159	125	130	125	90	67	4x19	16	1	4.5
32	1-1/4"	211	150	160	135	100	76	4x19	18	2	5
40	1-1/2"	211	150	180	140	105	81	4x19	18	2	5.5
50	2"	211	150	230	155	120	96	8x19	18	2	6.5
65	2-1/2"	266	175	292	175	140	116	8x19	20	2	7.5
80	3"	266	175	318	200	160	132	8x23	22	2	8
100	4"	350	300	356	225	185	160	8x23	24	2	9
125	5"	358	300	400	270	225	195	8x25	26	2	10
150	6"	395	300	444	305	260	230	12x25	28	2	11
200	8"	530	400	559	350	305	275	12x25	30	2	13