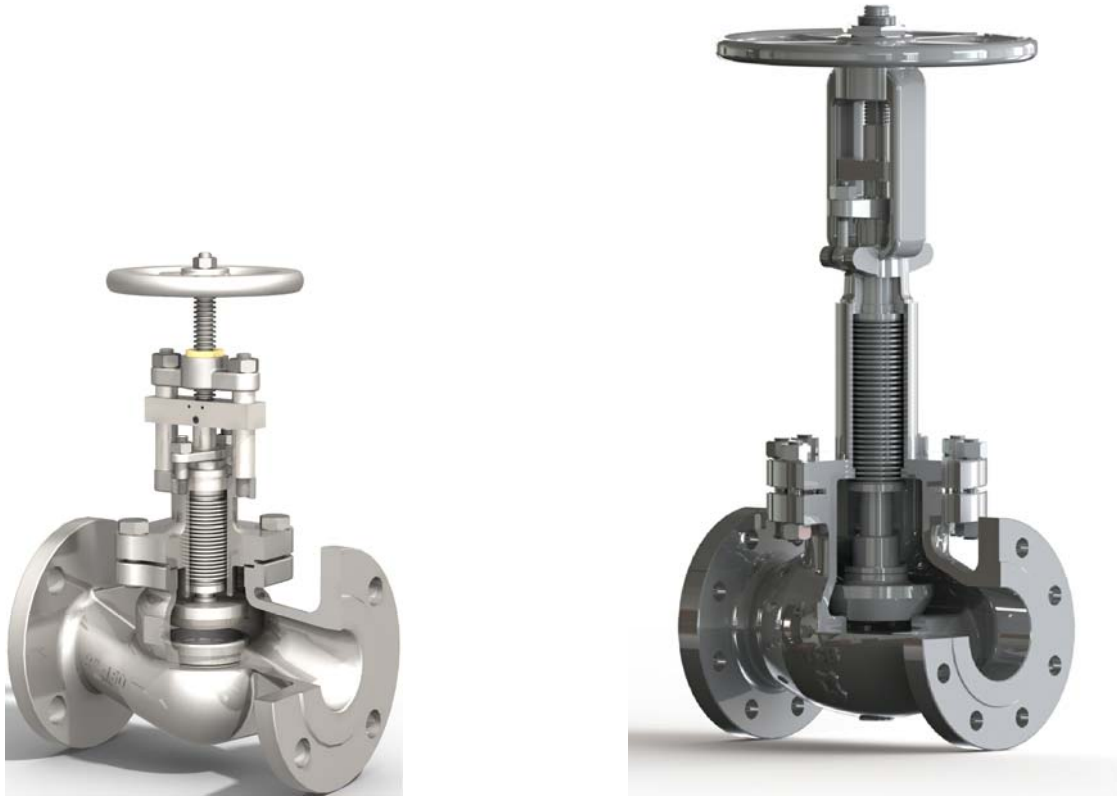




Class 150 鑄鋼/鑄不銹鋼長頸伸縮囊密封型球型閥
 Class 150 Cast Steel/Cast Stainless Steel
 Long Bellows Sealed Globe Valve

FIG FN37C-L Series



Selection of possible applications:

- Industry
- Powerstations
- Flue gas purification plant
- Processing technology
- Gas supply
- Vapour facilities
- Thermal oil applications
- Recycling facilities
- Vacuum facilities
- Ammonia
- Hot water
- Heating technology
- District heating
- Cooling and freezing systems
- General plant manufacturing
- Steam systems
- other applications on request -

Design Description:

- Globe valve in straight way type
- Bolted bonnet
- Outside screw and yoke
- Antirotation device and mechanical position indicator
- Rising stem and rising handwheel
- Disc with conical metallic sealing surface
- Metal back seat
- Protected bellows with valve fully opened
- Bellows welded on stem
- Cover gasket, inside and outside confined
- Secondary Sealing : gland packing
- Stem sealed with bellows tested for 20,000 full open/closed operations at 20° C
- Shell wall thickness acc. ASME B16.34
- Face to face dimensions acc. to ASME B16.10
- Flanges acc. to ASME B16.5
- Test pressure acc. to API 598
- Maintenance free
- Free from asbestos,PCB and CFC

Pressure/Temperature Ratings:

	BODY Material	Temp.	Working Pressure	SHELL TEST (water)	SEAT TEST (water)	SEAT TEST (air)
CLASS 150	A 351 Gr.CF8/ Gr.CF8M	100°F 38°C	275 psig 19 bar	425 psig 29 bar	305 psig 21 bar	80 psig 5.5 bar
		1000°F 538°C	20 psig 1.4 bar			
	A 216 Gr.WCB	100°F 38°C	285 psig 19.6 bar	450 psig 31 bar	315 psig 22 bar	80 psig 5.5 bar
		800°F 425°C	80 psig 5.5 bar			

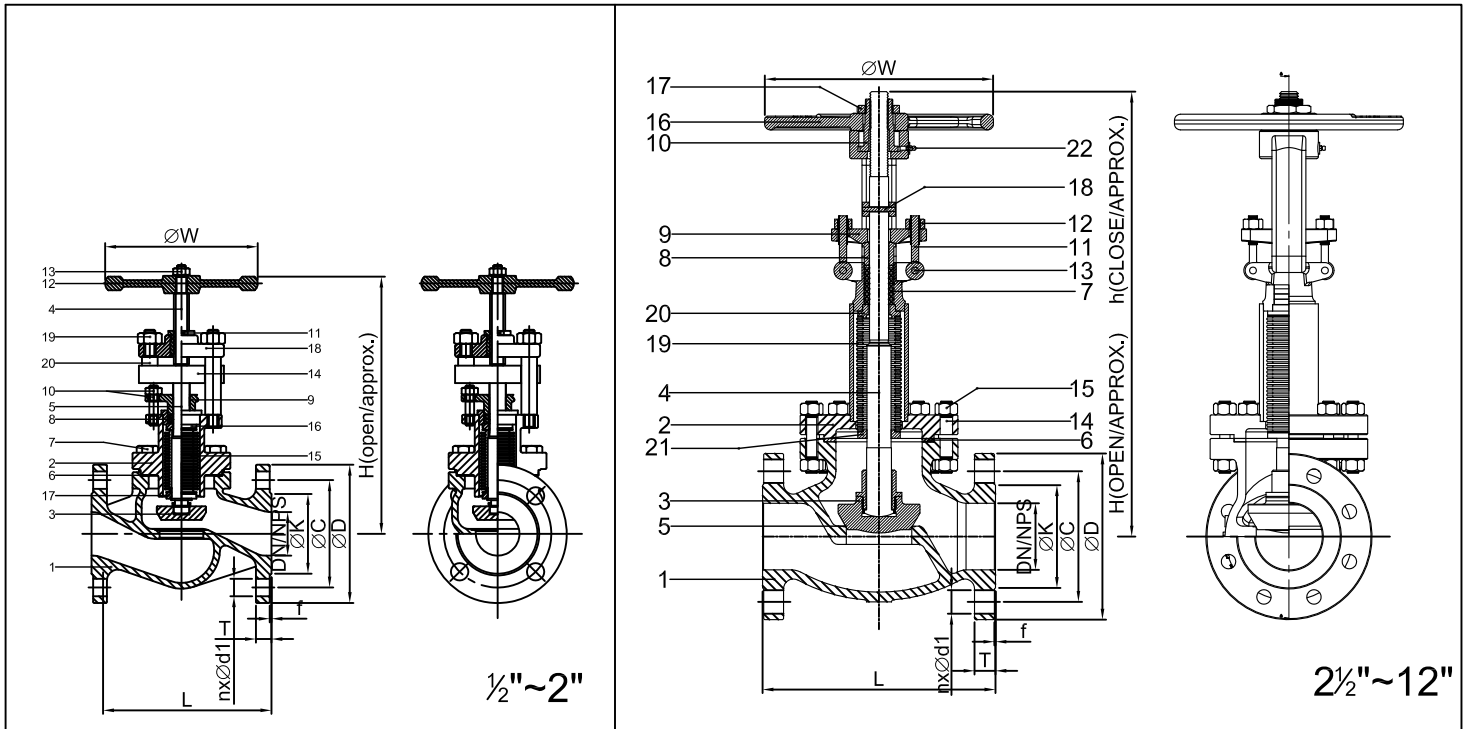


Class 150 鑄鋼/鑄不銹鋼長頸伸縮囊密封型球型閥

Class 150 Cast Steel/Cast Stainless Steel

Long Bellows Sealed Globe Valve

FIG FN37C-L Series



1/2"~2" Valve Parts List:

Item	Part name	Material		Remarks
		A216 WCB	A351Gr.CF8/CF8M	
1	Body	A216 WCB	A351Gr.CF8/CF8M	
2	Bonnet	A216 WCB	A351Gr.CF8/CF8M	
3	Disc*	13%Cr	S.S.304/S.S.316	HF on request
4	Upper Stem	13%Cr	S.S.304/S.S.316	
5	Lower Stem	13%Cr	S.S.304/S.S.316	
6	Bobby Seat	ASBODY	AS BODY	HF on request
7	Gasket	S.S.304 SPW	S.S.304/S.S.316 SPW	
8	Bonnet Bolts	Steel	Stainless Steel	
9	Gland Packing	Graphite	Graphite	
10	Gland	A216 WCB	A351Gr.CF8	
11	Gland Bolts & Nuts	Steel	Stainless Steel	
12	Stem Nut	Al Bronze	Al Bronze	
13	Handwheel	Ductile Iron	Ductile Iron	
14	Handwheel Nut	Steel	Steel	
15	Position Indicator	13%Cr	Stainless Steel	
16	Bellows	S.S. 304	S.S. 304/S.S.316	
17	Upper Bellows Joint	13%Cr	S.S.304/S.S.316	
18	Lower Bellows Joint	13%Cr	S.S.304/S.S.316	
19	Yoke Flange	A216 WCB	A351Gr.CF8	
20	Yoke Nuts	Steel	Stainless Steel	
21	Yoke Pillars	13%Cr	Stainless Steel	

* Soft disc inserts available for gas or vacuum service

2 1/2"~12" Valve Parts List:

Item	Part name	Material		Remarks
		A216Gr.WCB	A351Gr.CF8/CF8M	
1	Body	A216 WCB	A351Gr.CF8/CF8M	
2	Bonnet	A216 WCB	A351Gr.CF8/CF8M	
3	Disc*	A216 WCB+F6	S.S.304/S.S.316	HF on request
4	Stem	13%Cr	S.S.304/S.S.316	
5	Seat	13%Cr	AS BODY	HF on request
6	Gasket	Graphite	Graphite	
7	Gland Packing	Graphite	Graphite	
8	Gland	13%Cr	A351Gr.CF8	
9	Gland Flange	A216 WCB	A216 WCB	
10	Stem Nut	A439-D2	A439-D2	
11	Eye Bolt	A307B	A193-B8/A193-B8M	
12	Eye Bolt Nut	A194-2H	A193-B8/A194-8M	
13	Eye Bolt Pin	A36	A276-304/A276-304	
14	Bonnet Bolt	A193-B7	A193-B8/A194-8M	
15	Bonnet Nut	A307B	A194-8/A194-8M	
16	Handwheel	Ductile Iron	Ductile Iron	
17	Handwheel Nut	Ductile Iron	Ductile Iron	
18	Position Indicator	13%Cr	Stainless Steel	
19	Bellows	S.S. 304	S.S.304/S.S.316	
20	Upper Bellow Joint	13%Cr	S.S.304/S.S.316	
21	Lower Bellow Joint	13%Cr	S.S.304/S.S.316	
22	Lubricating Nipple	S.S.304	S.S.304/S.S.304	

* Soft disc inserts available for gas or vacuum service

Dimensions Table:

Unit : mm

SIZE		H	h	ØW	L	CLASS 150						Kvs vaule
DN	NPS					ØD	ØC	ØK	nxØd1	T	f	
15	1/2"	222	214	125	108	88.9	60.5	35.5	4x16	11.1	1.6	4
20	3/4"	222	214	125	117.3	98.55	70	42.93	4x16	11.1	1.6	7
25	1"	226	214	125	127	107.95	79.5	50.8	4x16	11.1	1.6	12
40	1-1/2"	245	231	140	165.1	127	98.5	73.15	4x16	14.3	1.6	30
50	2"	249	231	140	203.2	152.4	120.5	91.95	4x19	15.9	1.6	47
65	2-1/2"	570	540	175	215.9	177.8	139.5	104.65	4x19	17.5	1.6	77
80	3"	568	538	175	241.3	190.5	152.5	127	4x19	19.1	1.6	120
100	4"	691	647	300	292.1	228.6	190.5	157.22	8x19	23.9	1.6	180
125	5"	903	826	300	355.6	254	216	185.67	8x22	23.9	1.6	260
150	6"	893	843	300	406.4	279.4	241.5	215.9	8x22	25.4	1.6	380
200	8"	1206	1139	350	495.3	343	298.5	270	8x22	28.6	1.6	703
250	10"	1334	1256	350	622.3	406	362	324	12x25	30.2	1.6	1127
300	12"	1622	1513	350	698.5	483	432	381	12x25	31.8	1.6	1587

Larger sizes available on request