

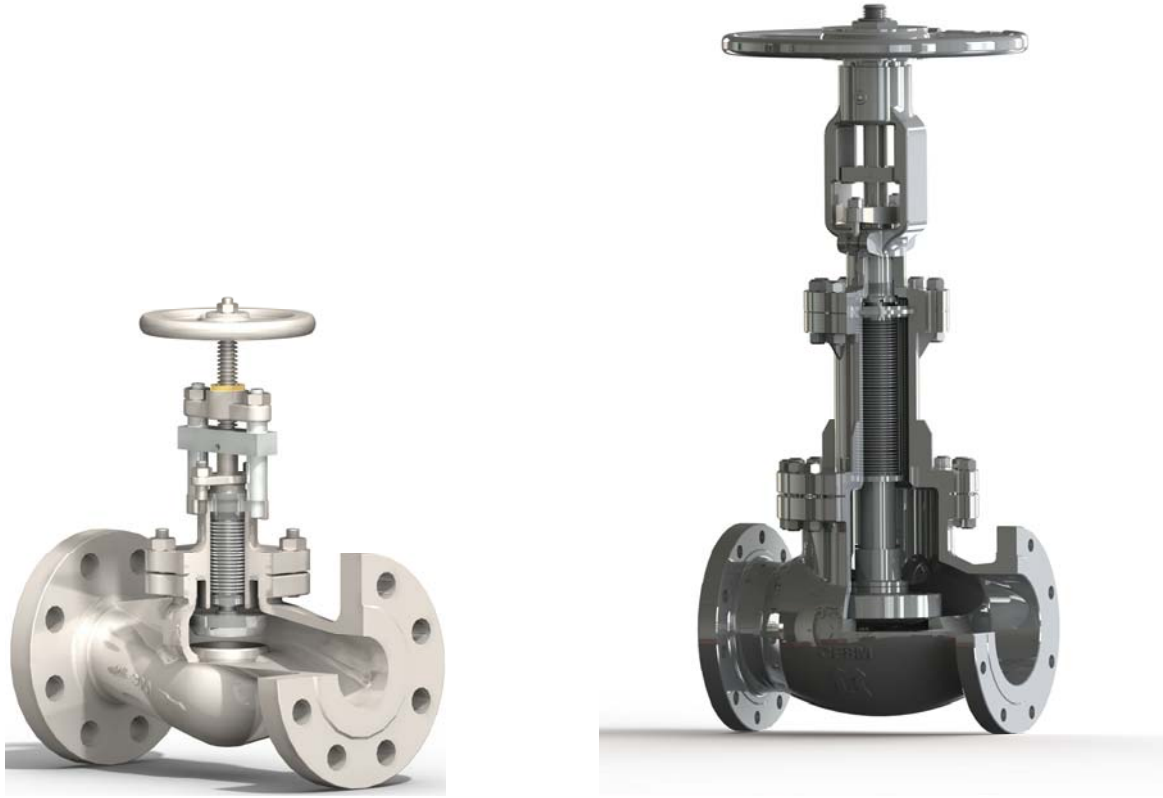


Class 300 鑄鋼/鑄不銹鋼長頸伸縮囊密封型球型閥

Class 300 Cast Steel/Cast Stainless Steel

Long Bellows Sealed Globe Valve

FIG FL37-L Series



Selection of possible applications:

- Industry
- Powerstations
- Flue gas purification plant
- Processing technology
- Gas supply
- Vapour facilities
- Thermal oil applications
- Recycling facilities
- Vacuum facilities
- Ammonia
- Hot water
- Heating technology
- District heating
- Cooling and freezing systems
- General plant manufacturing
- Steam systems
- other applications on request -

Design Description:

- Globe valve in straight way type
- Bolted bonnet
- Outside screw and yoke
- Antirotation device and mechanical position indicator
- Rising stem and rising handwheel
- Disc with conical metallic sealing surface
- Metal back seat
- Protected bellows with valve fully opened
- Bellows welded on stem
- Cover gasket, inside and outside confined
- Secondary Sealing : gland packing
- Stem sealed with bellows tested for 20,000 full open/closed operations at 20° C
- Shell wall thickness acc. ASME B16.34
- Face to face dimensions acc. to ASME B16.10
- Flanges acc. to ASME B16.5
- Test pressure acc. to API 598
- Maintenance free
- Free from asbestos,PCB and CFC

Pressure/Temperature Ratings:

	BODY Material	Temp.	Working Pressure	SHELL TEST (water)	SEAT TEST (water)	SEAT TEST (air)
Class 300	A 351 Gr.CF8	100°F 38°C	720 psig 49.6 bar	1100 psig 77 bar	795 psig 55 bar	80 psig 5.5 bar
		1000°F 538°C	355 psig 24.4 bar			
	A 351 Gr.CF8M	100°F 38°C	720 psig 49.6 bar	1100 psig 77 bar	795 psig 55 bar	80 psig 5.5 bar
		1000°F 538°C	365 psig 25.2 bar			
	A 216 Gr.WCB	100°F 38°C	740 psig 51.1 bar	1125 psig 78 bar	815 psig 56 bar	80 psig 5.5 bar
		800°F 425°C	410 psig 28.8 bar			

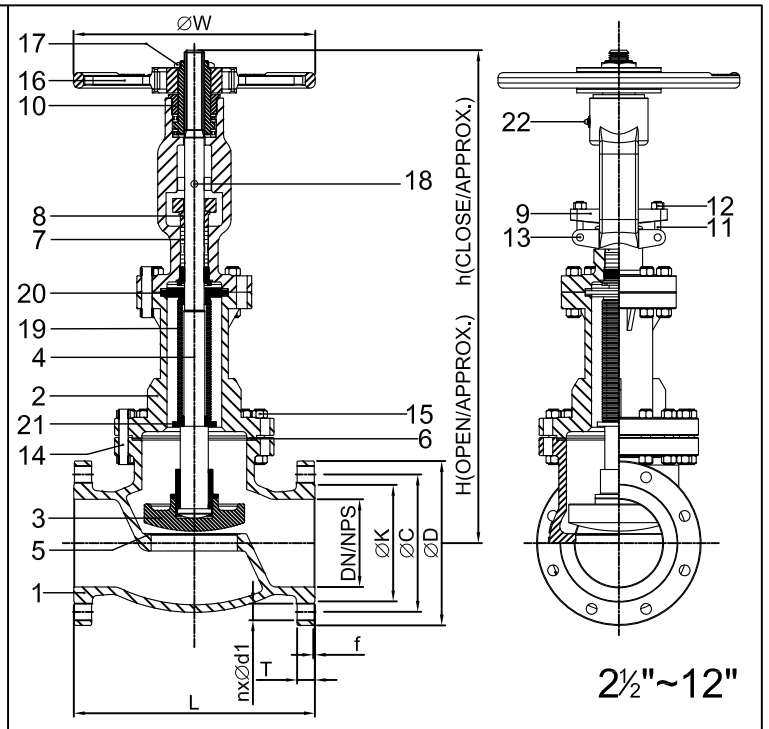
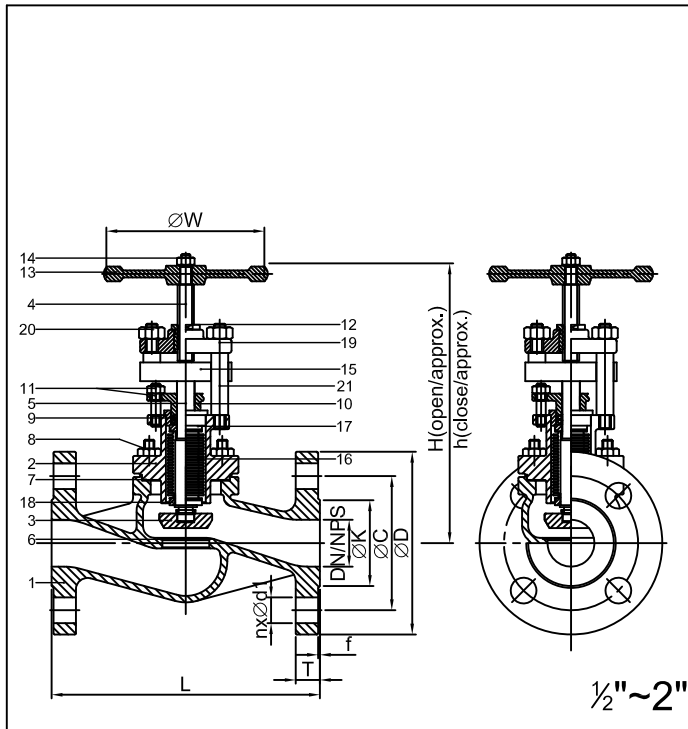


Class 300 鑄鋼/鑄不銹鋼長頸伸縮囊密封型球型閥

Class 300 Cast Steel/Cast Stainless Steel

Long Bellows Sealed Globe Valve

FIG FL37-L Series



1/2"~2" Valve Parts List:

Item	Part name	Material		Remarks
		A216Gr.WCB	A351Gr.CF8/CF8M	
1	Body	A216 WCB	A351 CF8/CF8M	
2	Bonnet	A216 WCB	A351 CF8/CF8M	
3	Disc*	13%Cr	S.S.304/S.S.316	HF on request
4	Upper Stem	13%Cr	S.S.304/S.S.316	
5	Lower Stem	13%Cr	S.S.304/S.S.316	
6	Bobby Seat	13%Cr	AS BODY	HF on request
7	Gasket	S.S.304 SPW	S.S.304/S.S.316 SPW	
8	Bonnet Bolts & Nuts	Steel	Stainless Steel	
9	Gland Packing	Graphite	Graphite	
10	Gland	A216 WCB	A351 CF8	
11	Gland Bolts & Nuts	Steel	Stainless Steel	
12	Stem Nut	Al Bronze	Al Bronze	
13	Handwheel	Ductile Iron	Ductile Iron	
14	Handwheel Nut	Steel	S.S.304	
15	Position Indicator	13%Cr	Stainless Steel	
16	Bellows	S.S. 304	S.S. 304/S.S.316	
17	Upper Bellows Joint	13%Cr	S.S. 304/S.S.316	
18	Lower Bellows Joint	13%Cr	S.S. 304/S.S.316	
19	Yoke Flange	A216 WCB	A351 CF8	
20	Yoke Nuts	Steel	Stainless Steel	
21	Yoke Pillars	13%Cr	Stainless Steel	

* Soft disc inserts available for gas or vacuum service

Item	Part name	Material		Remarks
		A216Gr.WCB	A351Gr.CF8/CF8M	
1	Body	A216 WCB	A351Gr.CF8/CF8M	
2	Bonnet	A216 WCB	A351Gr.CF8/CF8M	
3	Disc*	A216 WCB+F6	S.S.304/S.S.316	HF on request
4	Stem	13%Cr	S.S.304/S.S.316	
5	Seat	F6	AS BODY	HF on request
6	Gasket	Graphite	Graphite	
7	Gland Packing	Graphite	Graphite	
8	Gland	13%Cr	A351Gr.CF8	
9	Gland Flange	A216 WCB	A216 WCB	
10	Stem Nut	A439-D2	A439-D2	
11	Eye Bolt	A307B	A193-B8/A193-B8M	
12	Eye Bolt Nut	A194-2H	A193-B8/A194-8M	
13	Eye Bolt Pin	A36	A276-304/A276-304	
14	Bonnet Bolt	A193-B7	A193-B8/A194-8M	
15	Bonnet Nut	A307B	A194-8/A194-8M	
16	Handwheel	Ductile Iron	Ductile Iron	
17	Handwheel Nut	Ductile Iron	Ductile Iron	
18	Position Indicator	13%Cr	Stainless Steel	
19	Bellows	S.S. 304	S.S.304/S.S.316	
20	Upper Bellow Joint	13%Cr	S.S.304/S.S.316	
21	Lower Bellow Joint	13%Cr	S.S.304/S.S.316	
22	Lubricating Nipple	S.S.304	S.S.304/S.S.304	

* Soft disc inserts available for gas or vacuum service

Dimensions Table:

Unit : mm

SIZE		H	h	ØW	L	CLASS 300						Kvs vaule
DN	NPS					ØD	ØC	ØK	nxØd1	T	f	
15	1/2"	222	214	125	152.4	95.25	66.5	35.05	4x16	14.3	1.6	4
20	3/4"	222	214	125	177.8	117.35	82.5	42.93	4x19	15.9	1.6	7
25	1"	226	214	125	203.2	123.95	89	50.8	4x19	17.5	1.6	12
40	1-1/2"	245	231	140	228.6	155.45	114.5	73.15	4x22.22	20.7	1.6	30
50	2"	249	231	140	266.7	165.1	127	91.95	8x19	22.3	1.6	47
65	2-1/2"	570	540	250	292.1	190.5	149	104.65	8x22.22	25.4	1.6	77
80	3"	568	538	250	317.5	209.55	168	127	8x22.22	28.6	1.6	120
100	4"	691	647	350	355.6	254	200	157.22	8x22.22	31.8	1.6	180
125	5"	903	826	450	400.1	279.4	235	185.67	8x22.22	35	1.6	260
150	6"	893	843	450	444.5	317.5	270	215.9	12x22.22	36.6	1.6	380
200	8"	1206	1139	560	558.8	381	330	270	12x25	41.3	1.6	703
250	10"	1334	1256	864	622.3	444	387.5	324	16x29	47.7	1.6	1127
300	12"	1622	1513	864	711.2	521	451	381	16x32	50.8	1.6	1587

Larger sizes available on request