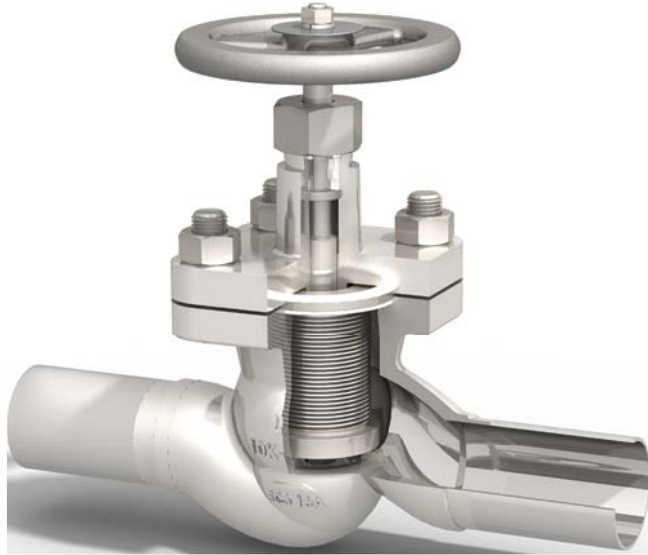




不銹鋼超潔淨伸縮囊密封型球型閥 Stainless Steel Ultra-High Purity Bellows Sealed Globe Valve

FIG 38S-B



Applications

- High Purity Gas distribution system control valves
- Superior containment and cleanliness for your most critical valve applications

Suitable for insert and most toxic gases

Feature

- High Quality SUS316L bellows Design for Ultra- High Purity and Long Cycle Life.
- The standard seat material is PTFE, as option, another materials such as PCTFE can be used.
- The straight way type body design provide higher Cv value.
- We offer different grades of inner surface finishes , AP, BA and EP. BA to 20 Ra, Max (0.50 μ m) EP to 10 Ra (0.25 μ m)
- Cleaned For High-purity Gas service.
- Assembled and tested in Clean room.
- Leak Test with 100% Helium.
- Different types of connection available. (Pipe, Tube, and flange)
- Optional Purge Connections or Fittings Available.

Specification

MAX fluid pressure		0.98MPa (10kgf/cm ² G)
Temperature range		-10~100(°C)
Shell test (GAS:N ₂)		1.47MPa (15kgf/cm ² G)
Air tight & Seat closure test (GAS:N ₂)		1.08MPa (11kgf/cm ² G)
Helium leakage test	External leakage	$\leq 1.01 \times 10^{-6} \text{Pa} \cdot \text{m}^3/\text{sec}$ ($1 \times 10^{-5} \text{Atm} \cdot \text{cc}/\text{sec}$)
	Leakage across seat	$\leq 1.01 \times 10^{-6} \text{Pa} \cdot \text{m}^3/\text{sec}$ ($1 \times 10^{-5} \text{Atm} \cdot \text{cc}/\text{sec}$)

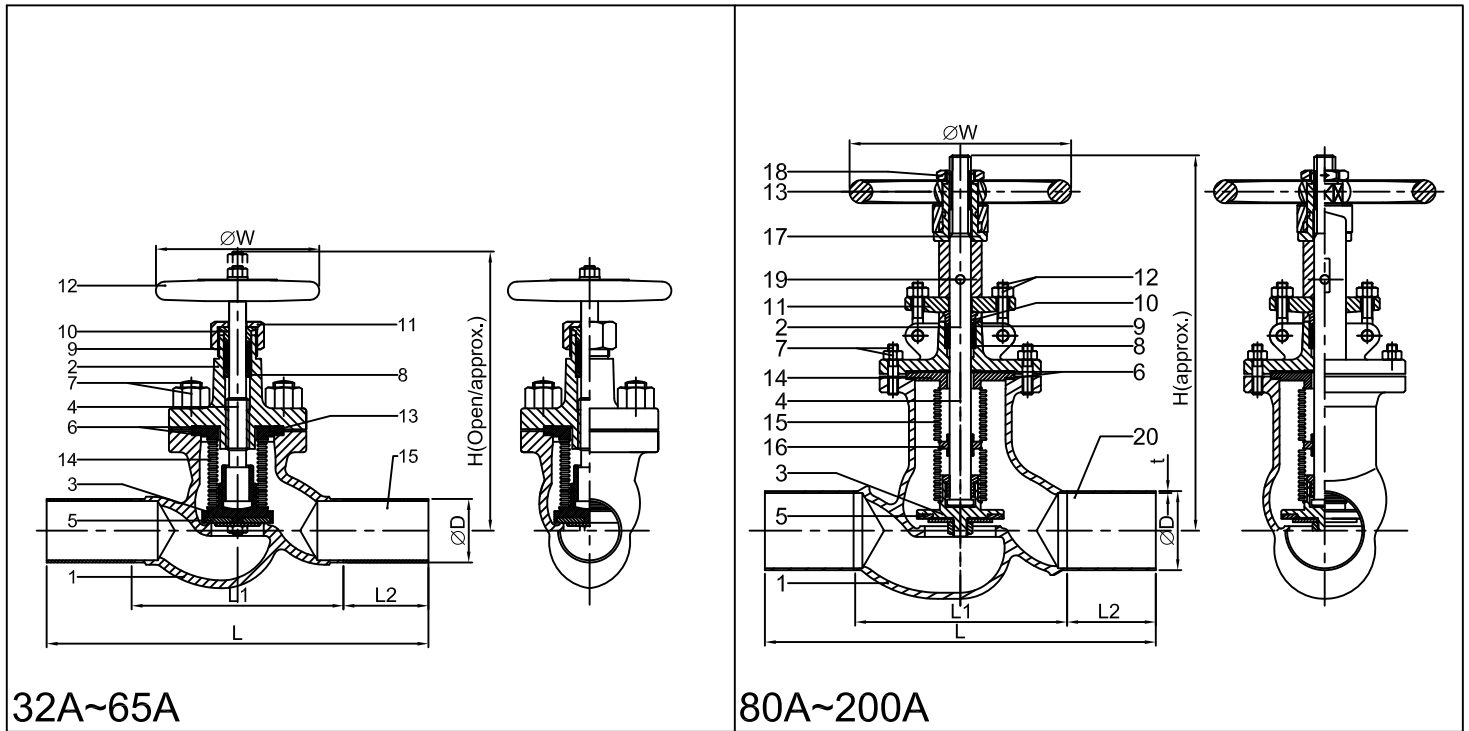
Technical Data

Model	Connection Size	Orifice Size (mm)	MAX Cv value	Temperature °C	Pressure MPa(kgf/cm ² G)
38S-B	32A	32	26	-10	VAC
	40A	40	29		
	50A	50	43	~	~
	65A	65	71		
	80A	80	134	100	0.98MPa (10kgf/cm G)
	100A	100	201		
	125A	125	310		
	150A	150	437		
	200A	200	700		



不銹鋼超潔淨伸縮囊密封型球型閥 Stainless Steel Ultra-High Purity Bellows Sealed Globe Valve

FIG 38S-B



Valve Parts List:

Item	Part name	Material	Remarks
1	Body	SCS13/SCS16	
2	Bonnet	SCS13	
3	Disc Holder	SUS304/SUS316L	
4	Stem	SUS304	
5	Disc	PTFE/PCTFE	
6	Gasket	PTFE	
7	Bonnet Bolts & Nuts	SUS304	
8	Packing Ring	SUS304	
9	Gland Packing	PTFE	
10	Gland	SUS304	
11	Gland Nuts	SUS304	
12	Handwheel	FCD450-10	
13	Bellows Flange	SUS304/SUS316L	
14	Bellows	SUS316L	
15	Pipe Stub	SUS304/SUS316L	

Valve Parts List:

Item	Part name	Material	Remarks
1	Body	SCS13/SCS16	
2	Bonnet	SCS13	
3	Disc Holder	SUS304/SUS316L	
4	Stem	SUS304	
5	Disc	PTFE/PCTFE	
6	Gasket	PTFE	
7	Bonnet Bolts & Nuts	SUS304	
8	Packing Ring	SUS304	
9	Gland Packing	PTFE	
10	Gland	SUS304	
11	Gland Flange	SCS13	
12	Gland Bolts & Nuts	SUS304	
13	Handwheel	FCD450-10	
14	Bellows Flange	SUS304/SUS316L	
15	Bellows	SUS316L	
16	Bellows Ring	SUS304/SUS316L	
17	Stem Nut	C3604	
18	Handwheel Nut	C3604	
19	Position Indicator	SUS304	
20	Pipe Stub	SUS304/SUS316L	

Dimensions Table:

Unit : mm

SIZE	H	ØW	L	L1	L2	ØD*	t*
32A	203	140	292	162	65	42.7	1.65
40A	203	140	292	162	65	48.6	1.65
50A	255	140	403	203	100	60.5	1.65
65A	300	160	416	216	100	76.3	2.1
80A	424	250	441	241	100	89.1	2.1
100A	474	280	492	292	100	114.3	2.1
125A	542	300	556	356	100	139.8	2.8
150A	540	355	606	406	100	165.2	2.8
200A	637	400	795	495	150	216.3	4

*Tube sizes and wall thicknesses are available on request