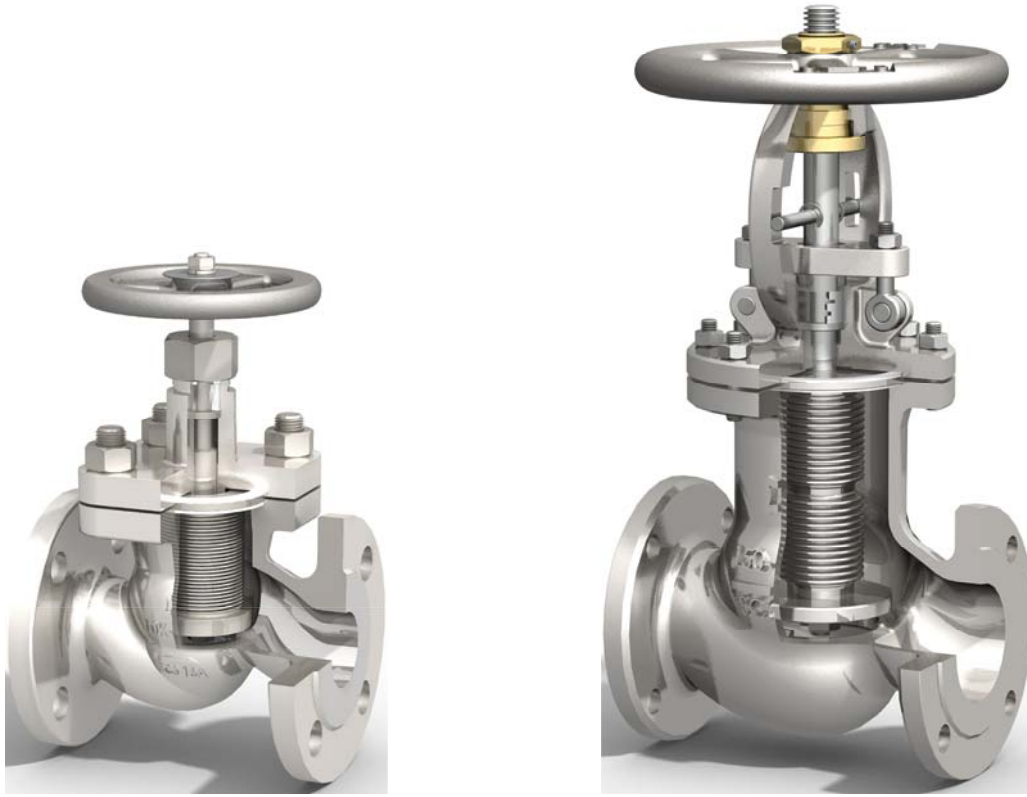




不銹鋼超潔淨伸縮囊密封型球型閥 Stainless Steel Ultra-High Purity Bellows Sealed Globe Valve

FIG F38S



Applications

- High Purity Gas distribution system control valves
- Superior containment and cleanliness for your most critical valve applications
- Suitable for insert and most toxic gases

Feature

- High Quality SUS316L bellows Design for Ultra- High Purity and Long Cycle Life.
- The standard seat material is PTFE, as option, another materials such as PCTFE can be used.
- The straight way type body design provide higher Cv value.
- We offer different grades of inner surface finishes , AP, BA and EP. BA to 20 Ra,Max (0.50 μ m) EP to 10 Ra (0.25 μ m)
- Cleaned For High-purity Gas service.
- Assembled and tested in Clean room.
- Leak Test with 100% Helium.
- Different types of connection available. (Pipe, Tube, and flange)
- Optional Purge Connections or Fittings Available.

Specification

MAX fluid pressure		0.98MPa (10kgf/cm ² G)
Temperature range		-10~100(°C)
Shell test (GAS:N ₂)		1.47MPa (15kgf/cm ² G)
Air tight & Seat closure test (GAS:N ₂)		1.08MPa (11kgf/cm ² G)
Helium leakage test	External leakage	$\leq 1.01 \times 10^{-6} \text{Pa} \cdot \text{m}^3/\text{sec}$ ($1 \times 10^{-5} \text{Atm} \cdot \text{cc}/\text{sec}$)
	Leakage across seat	$\leq 1.01 \times 10^{-6} \text{Pa} \cdot \text{m}^3/\text{sec}$ ($1 \times 10^{-5} \text{Atm} \cdot \text{cc}/\text{sec}$)

Technical Data

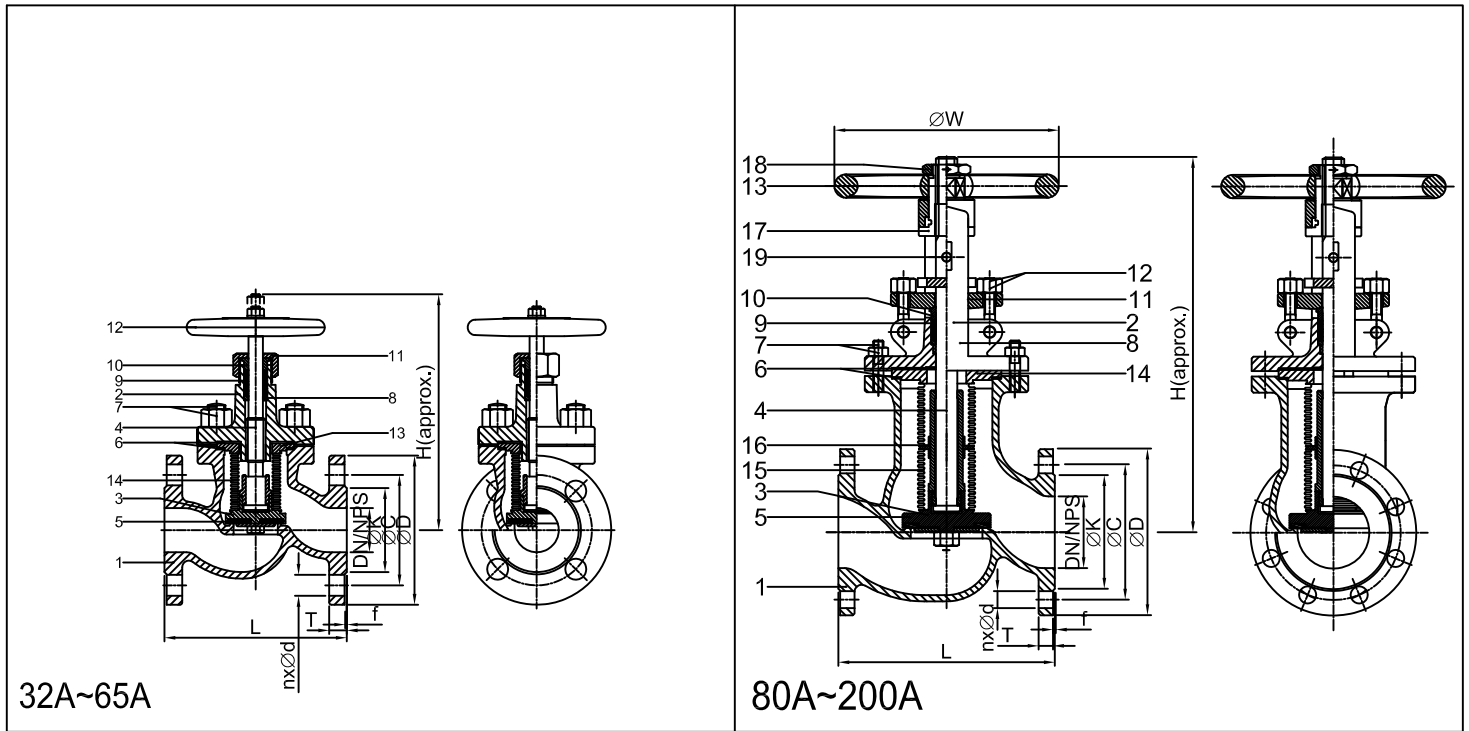
Model	Connection Size	Orifice Size (mm)	MAX Cv value	Temperature °C	Pressure MPa(kgf/cm ² G)
F38S	32A	32	26	-10	VAC
	40A	40	29		
	50A	50	43		
	65A	65	71	~	~
	80A	80	134		
	100A	100	201		
	125A	125	310	100	0.98MPa (10kgf/cm ² G)
	150A	150	437		
	200A	200	700		



不銹鋼超潔淨伸縮囊密封型球型閥

Stainless Steel Ultra-High Purity Bellows Sealed Globe Valve

FIG F38S



Valve Parts List:

Item	Part name	Material	Remarks
1	Body	SCS13/SCS16	
2	Bonnet	SCS13	
3	Disc Holder	SUS304/SUS316L	
4	Stem	SUS304	
5	Disc	PTFE/PCTFE	
6	Gasket	PTFE	
7	Bonnet Bolts & Nuts	SUS304	
8	Packing Ring	SUS304	
9	Gland Packing	PTFE	
10	Gland	SUS304	
11	Gland Nuts	SUS304	
12	Handwheel	FCD450-10	
13	Bellows Flange	SUS304/SUS316L	
14	Bellows	SUS316L	

Valve Parts List:

Item	Part name	Material	Remarks
1	Body	SCS13/SCS16	
2	Bonnet	SCS13	
3	Disc Holder	SUS304/SUS316L	
4	Stem	SUS304	
5	Disc	PTFE/PCTFE	
6	Gasket	PTFE	
7	Bonnet Bolts & Nuts	SUS304	
8	Packing Ring	SUS304	
9	Gland Packing	PTFE	
10	Gland	SUS304	
11	Gland Flange	SCS13	
12	Gland Bolts & Nuts	SUS304	
13	Handwheel	FCD450-10	
14	Bellows Flange	SUS304/SUS316L	
15	Bellows	SUS316L	
16	Bellows Ring	SUS304/SUS316L	
17	Stem Nut	C3604	
18	Handwheel Nut	C3604	
19	Position Indicator	SUS304	

Dimensions Table:

SIZE	H	ØW	L	JIS-10K*					
				ØD	ØC	ØK	nxØd1	T	f
32A	203	140	165	135	100	76	4x19	16	2
40A	203	140	165	140	105	81	4x19	16	2
50A	255	140	203	155	120	96	4x19	16	2
65A	300	160	216	175	140	116	4x19	18	2
80A	424	250	241	185	150	126	8x19	18	2
100A	474	280	292	210	175	151	8x19	18	2
125A	542	300	356	250	210	182	8x23	23.9	2
150A	540	355	406	280	240	212	8x23	25.4	2
200A	637	400	495	330	290	262	12x23	28.6	2

Unit : mm

*Flange type JIS20K and ANSI 150/300 are available on request